

Visual Communication and Design – YEAR 11

UNIT 2 - Outcome 1: Technical drawing in context

TASK 2: ISOMETRIC SHAPES

- A UNIT = 2 CMS

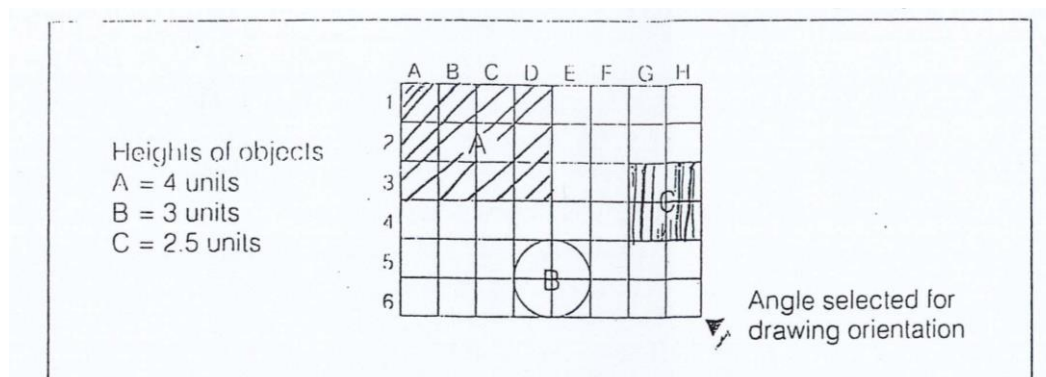


Figure 2.5: The process of converting a two-dimensional plan into a three-dimensional isometric drawing

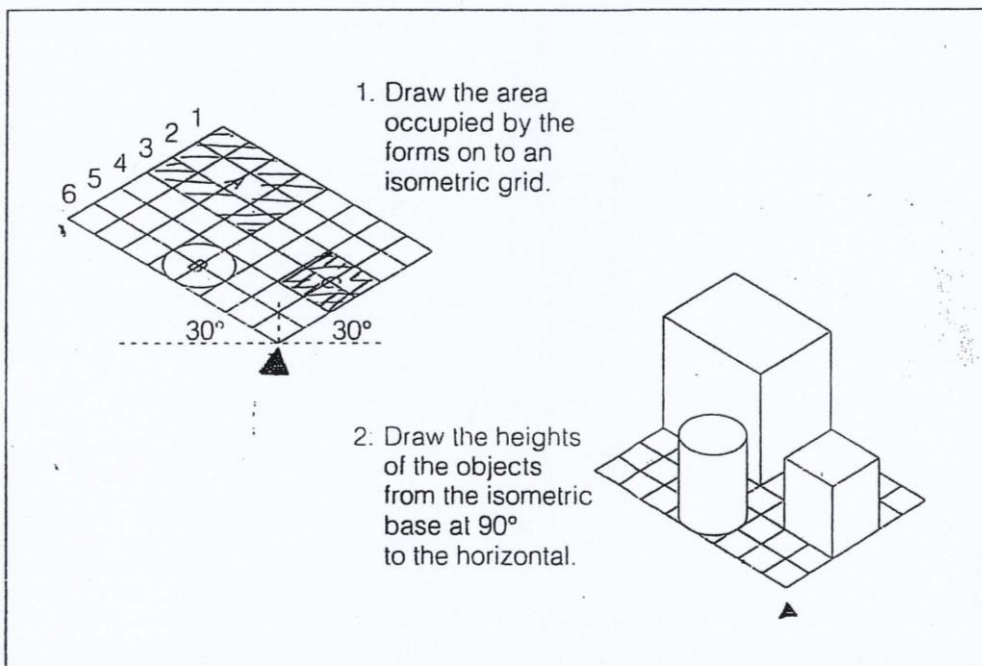


Figure 2.6: Drawing objects in isometric projection