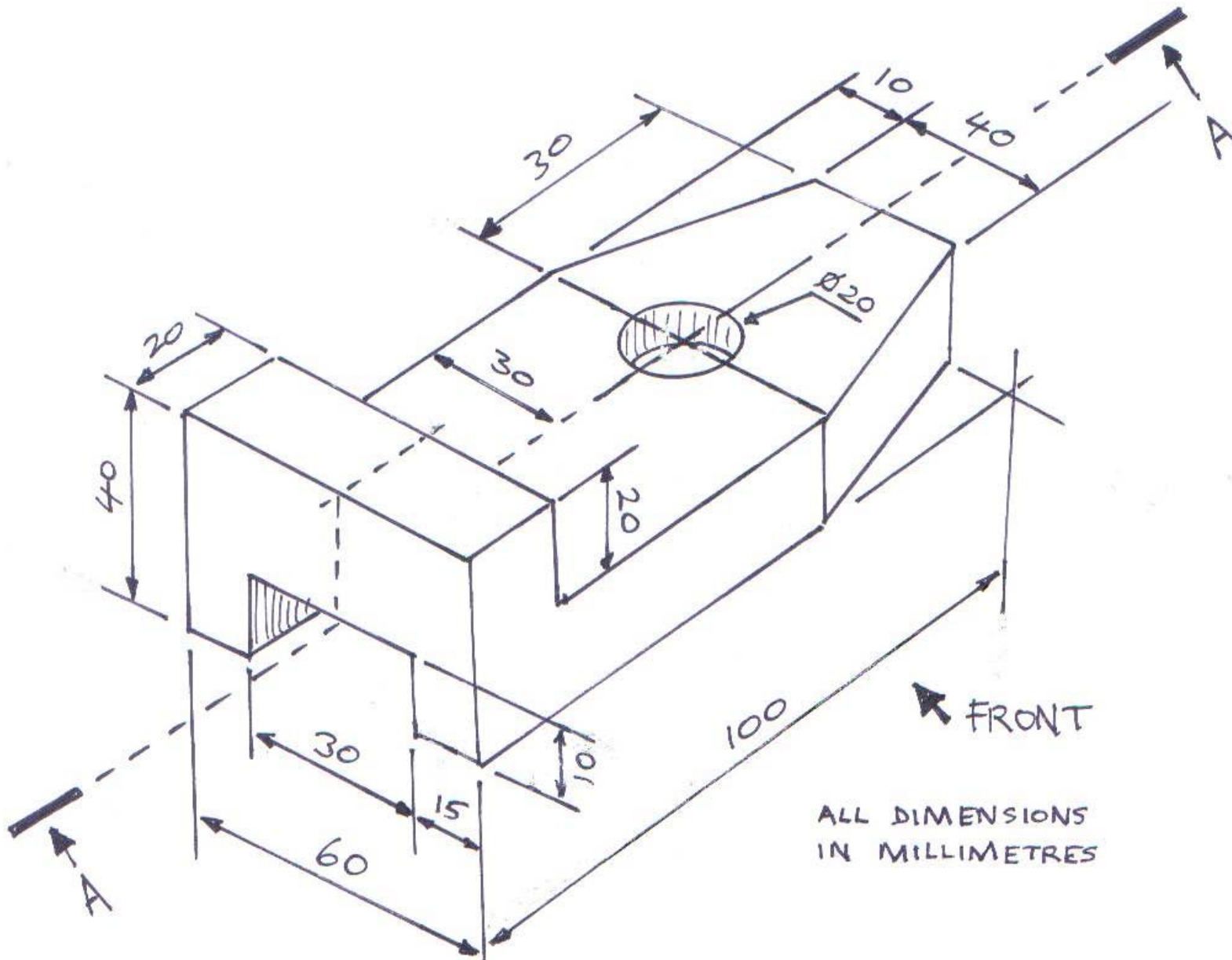


4. *Instrumental* – Orthogonal view from Isometric drawing.

1. Use the given dimensions to draw this object in isometric projection.
2. Complete an orthogonal view of the object. Include the orthogonal symbol in this drawing and label each view.



Complete both 1 & 2
on a single A3 page.

Section A-A represents
a cross section
although you will not
be required to show
that in this task.